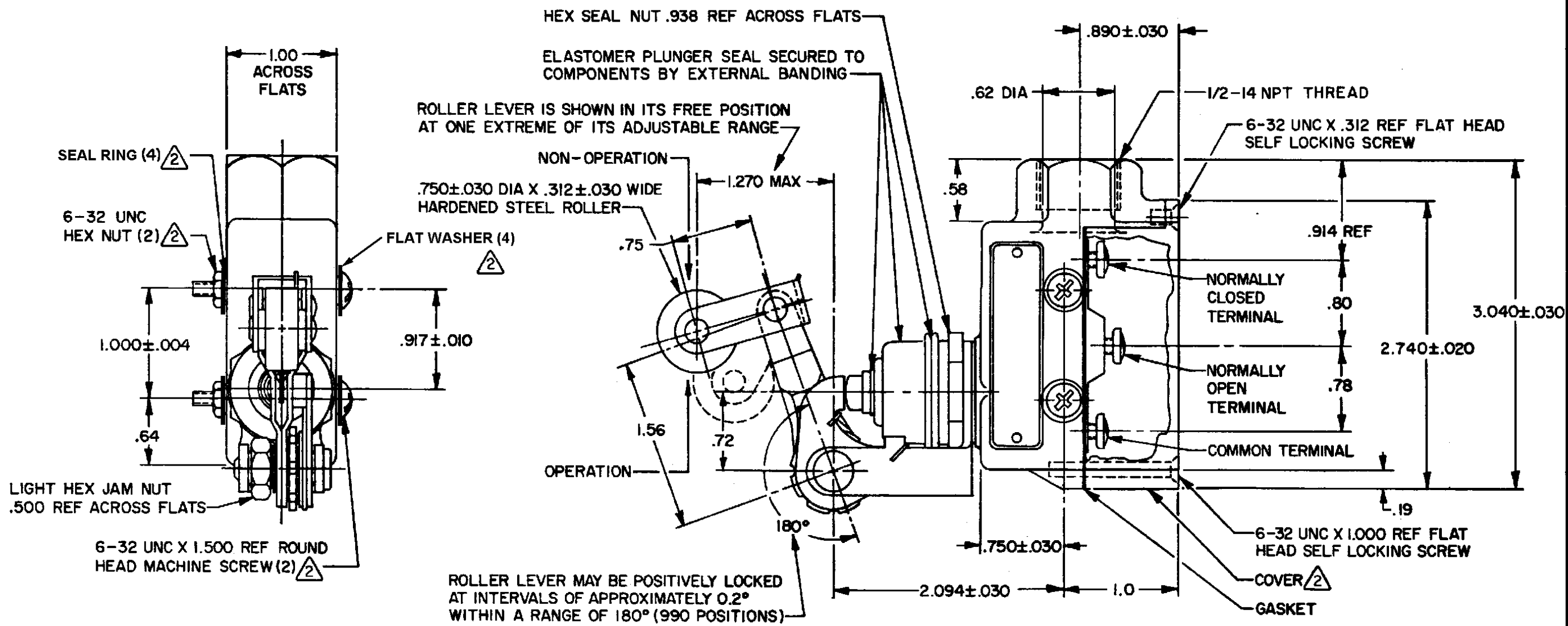


BZE6-2RN28
 DRAWING NUMBER
 11
 ISSUE
 22NOV05
 BP
 CHECK
 26 AUG 77
 K P K
 31
 A
 6
 7
 77179A
 K D R
 17 FEB 94
 G
 0017057
 VKR
 22NOV05
 S L B
 26 AUG 77
 DRAWN
 FO-2281-A



ROLLER LEVER MAY BE POSITIVELY LOCKED AT INTERVALS OF APPROXIMATELY 0.2° WITHIN A RANGE OF 180° (990 POSITIONS)

NOTES-

- 1 - 6-32 UNC X .219 REF BINDING HEAD TERMINAL SCREW AND CUPWASHER (3)
- 2 - FURNISHED UNASSEMBLED
- 3 - ROLLER LEVER BRACKET ASSEMBLY MAY BE SET AT ANY POSITION AROUND AXIS OF PLUNGER
- 4 - SEAL RATING: NEMA 1,3 IP54

THIS DRAWING COVERS A PROPRIETARY ITEM AND IS THE PROPERTY OF MICRO SWITCH, A DIVISION OF HONEYWELL. THIS DRAWING IS NOT TO BE COPIED OR USED WITHOUT THE APPROVAL OF MICRO SWITCH.

CHARACTERISTICS	ELECTRICAL DATA	SCALE FULL
OPERATING FORCE-----8-20 OZ	CONTACT ARRANGEMENT S P D T	DO NOT SCALE PRINT
RELEASE FORCE-----6 OZ MIN	15A-125, 250 OR 480 VAC, 2A-600 VAC 1/8 HP-125 VAC; 1/4 HP-250 VAC 1/2A-125 VDC; 1/4A-250 VDC CODE L74 CE 1.5A, 240 Vac	UNLESS OTHERWISE NOTED
PRETRAVEL-----.234 MAX		DIMENSIONS ARE IN INCHES
DIFFERENTIAL TRAVEL-----.006 MAX		TOLERANCES ARE:
OVERTRAVEL-----.219 MIN		ONE PLACE (.01) ±.030
BASIC SWITCH REPLACEMENT--- BZ-2RN702		TWO PLACE (.001) ±.015
		THREE PLACE (.000) ±.008
		ANGLES ±.008
		WEIGHT .71 LB